



An ISO 9001 : 2008 Company

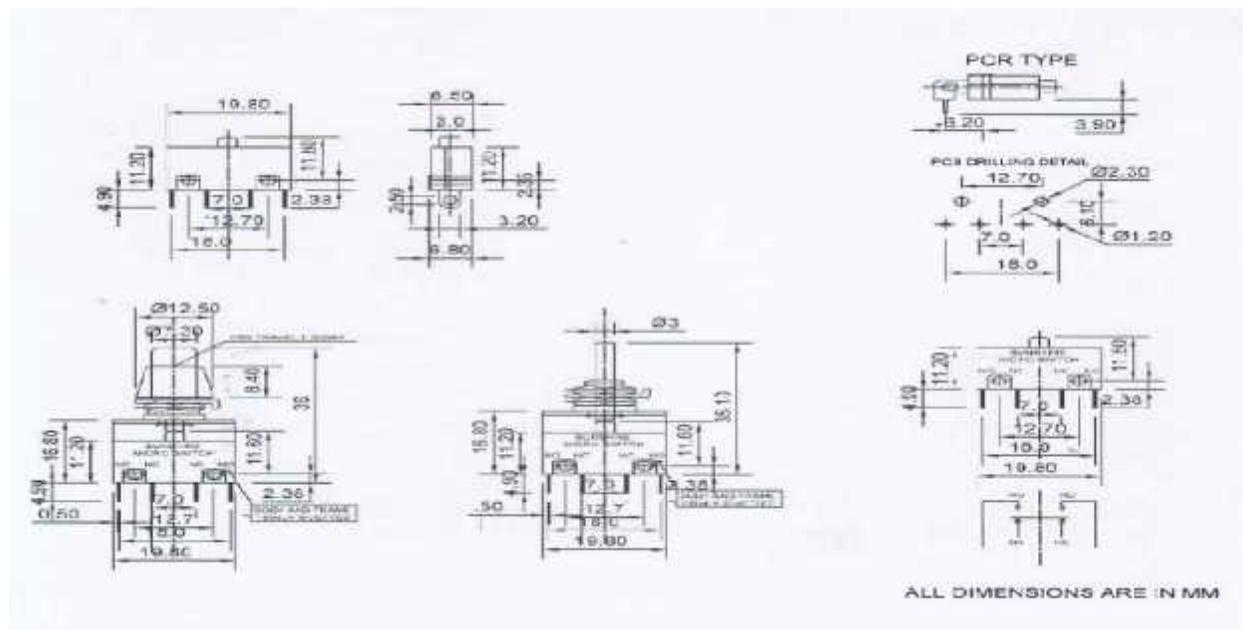
MICRO RESET SWITCHES SNAP ACTION Series 44: Solder / PCB Horizontal Types

DESCRIPTION

Sunshine Series 44 Micro Reset Switch is a snap acting momentary switch suitable for low level and power level switching. High switching reliability is built into the design of the switch. By using a double-make double-break design, the current rating is increased and the switch can also be used for DC switching. Low contact resistance and protection against surge currents, as in Inductive and Capacitance loading, is ensured by the design.



DIMENSIONAL DETAILS



SUNSHINE INNOVATIVE ELECTRONICS

24, 12th Cross, Magadi Road, Cholurpalya, Bangalore 560023.

Telefax: 080 23158335 / 9845568335 / 9008830789

Website: www.sunshineswitches.com. Email: sales@sunshineswitches.com/ramescomp@gmail.com.

MATERIALS & FINISHES

BODY : Glass Filled PBT (UL Approved)

PLUNGER : Acetal

ELECTRICAL SPECIFICATIONS

CONTACT CONFIGURATION : (Double throw two circuit)

CONTACT RATING : With 200+50gms operating force 5 Amps (Resistive load) at 28 V DC / 230 V AC

CONTACT RESISTANCE : 100 milli ohms max initial

ELECTRICAL : 25,000 operations at rated load. With lower contact-loads life will be correspondingly higher

MECHANICAL LIFE : 100,000 operations

INSULATION RESISTANCE : 100 Megohms min.

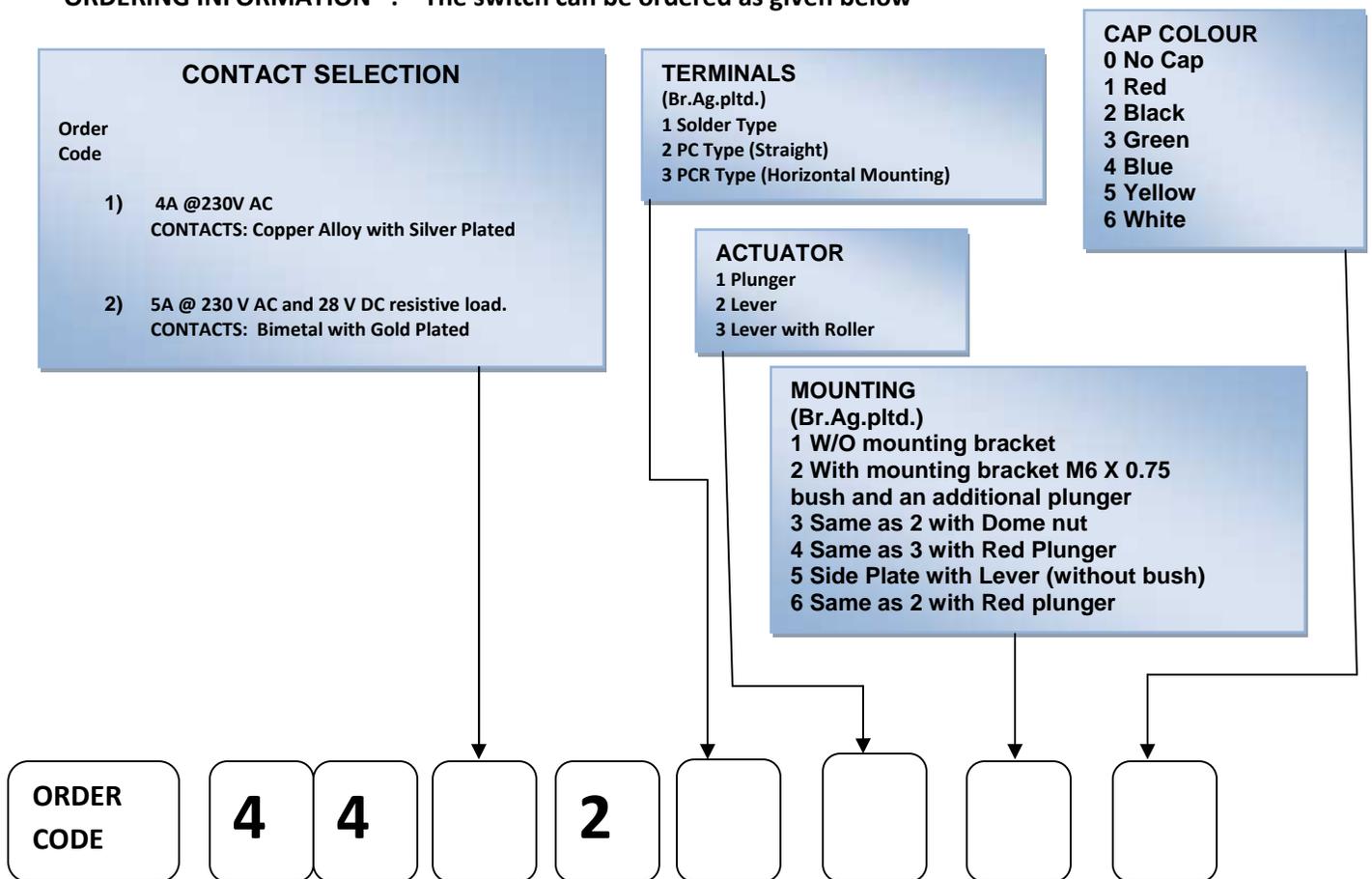
DIELECTRIC STRENGTH : 1000 V RMS

PRETRAVEL : 1.27 mm (max)

OVERTRAVEL : 0.25 mm (min)

NOTE: Standard / Low level combination could be used in low level or power circuits. However if low level rating is exceeded, gold plating is likely to be removed and the switch is no longer recommended for low level currents.

ORDERING INFORMATION : The switch can be ordered as given below



SUNSHINE INNOVATIVE ELECTRONICS

24, 12th Cross, Magadi Road, Cholurpalya, Bangalore 560023.

Telefax: 080 23158335 / 9845568335 / 9008830789

Website: www.sunshineswitches.com. Email: sales@sunshineswitches.com/ramescomp@gmail.com.



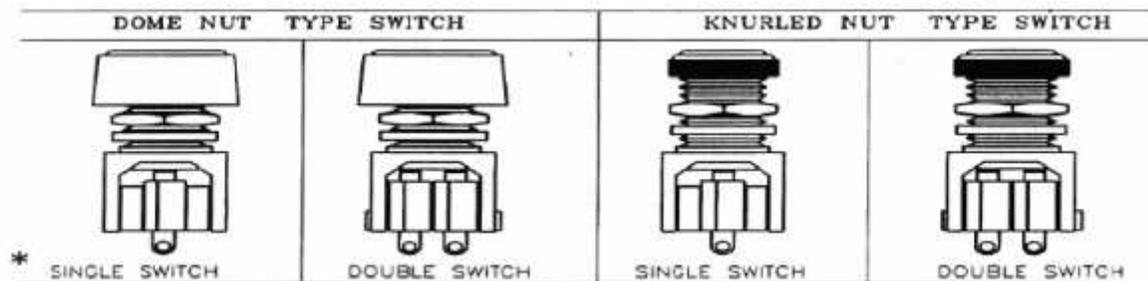
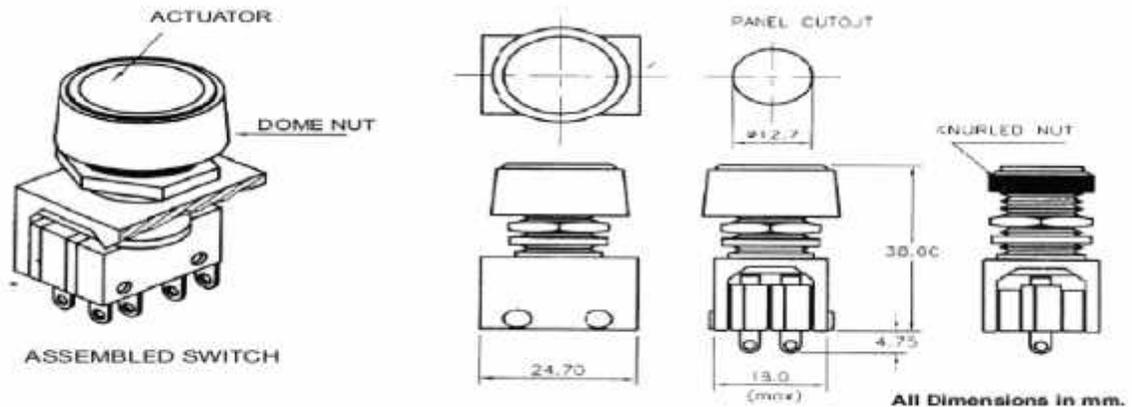
An ISO 9001 : 2008 Company

MICRO PUSH SWITCHES SNAP ACTION Series 44

SUNSHINE Micro Push Button Switch are build with high reliable Micro Switches with Snap Action momentary with butterfly Mechanism, Double Make Double Break. Switching function helps the switch to use in higher current rating & D.C application in small volume. The switches can be used in Inductive, capacitance loading and against surge current since it is protected by its design. Housing and accessories are made with fine quality of engg. Plastics for their ultimate end use.



DIMENTIONAL DETAILS:



SUNSHINE INNOVATIVE ELECTRONICS

24, 12th Cross, Magadi Road, Cholurpalya, Bangalore 560023.

Telefax: 080 23158335 / 9845568335 / 9008830789

Website: www.sunshineswitches.com. Email: sales@sunshineswitches.com/ramescomp@gmail.com.

ELECTRICAL SPECIFICATIONS

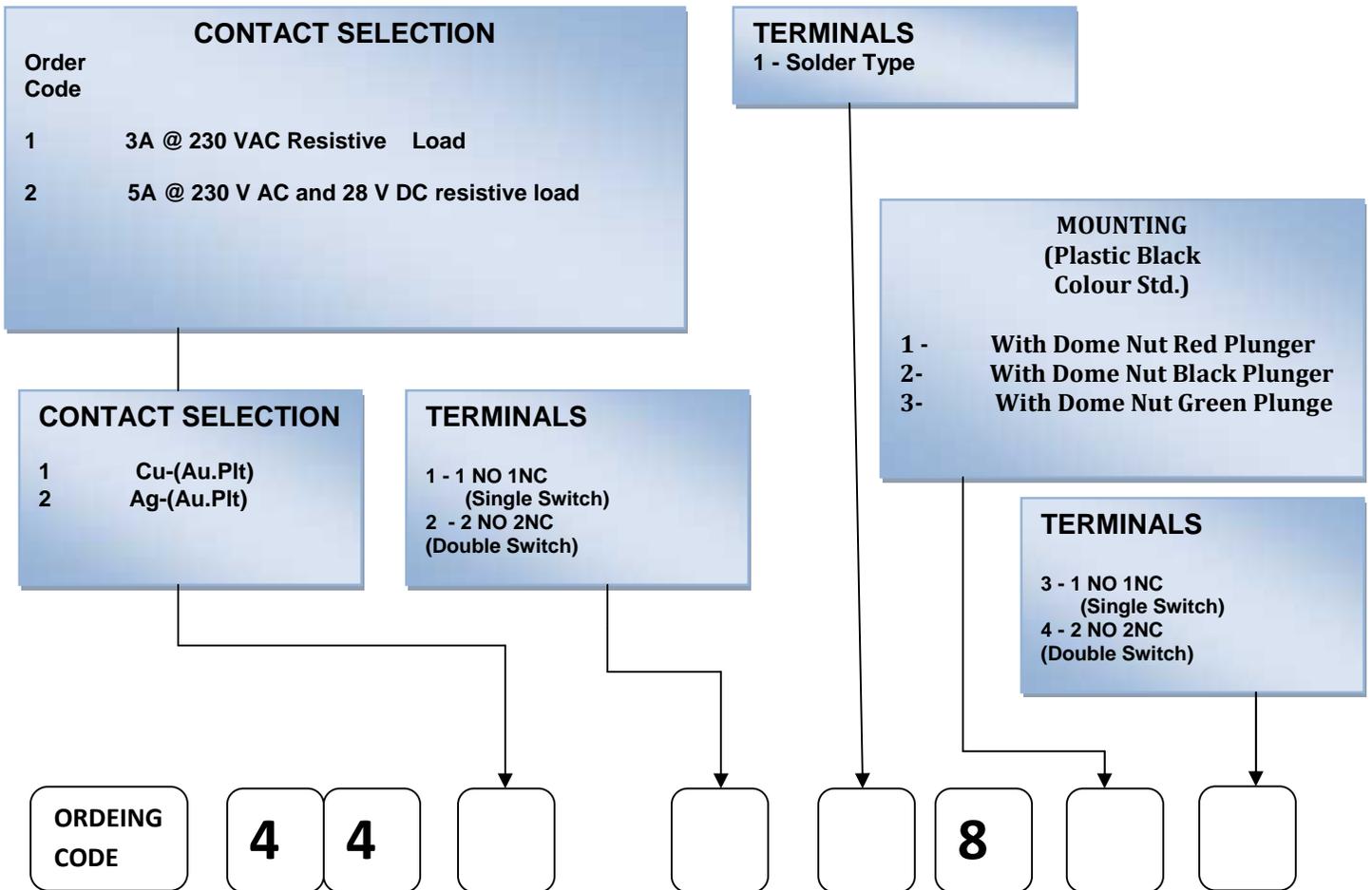
CONTACT CONFIGURATION : (Double throw two circuit)
CONTACT RATING : With 200+50gms operating force 5 Amps (Resistive load) at 28 V DC / 230 V AC
CONTACT RESISTANCE : 100 milli ohms max Initial
ELECTRICAL : 20,000 operations at rated load. With lower contact loads life will be correspondingly higher
MECHANICAL LIFE : 100,000 operations
INSULATION RESISTANCE : 100 Megohms min.
DIELECTRIC STRENGTH : 1000 V RMS
PRETRAVEL : 1.27 mm (max)
OVERTRAVEL : 0.25 mm (min)

MATERIALS & FINISHES

BODY : Glass filled PBT (UL approved)
PLUNGER : Acetal

NOTE : Standard/Low level combination could be used in low level or power circuits. However if low level rating is exceeded, gold plating is likely to be removed and the switch is no longer recommended for low level currents.

ORDERING INFORMATION: Given below are the variations possible and corresponding Ordering Code



SUNSHINE INNOVATIVE ELECTRONICS

24, 12th Cross, Magadi Road, Cholurpalya, Bangalore 560023.

Telefax: 080 23158335 / 9845568335 / 9008830789

Website: www.sunshineswitches.com. Email: sales@sunshineswitches.com/ramescomp@gmail.com.